

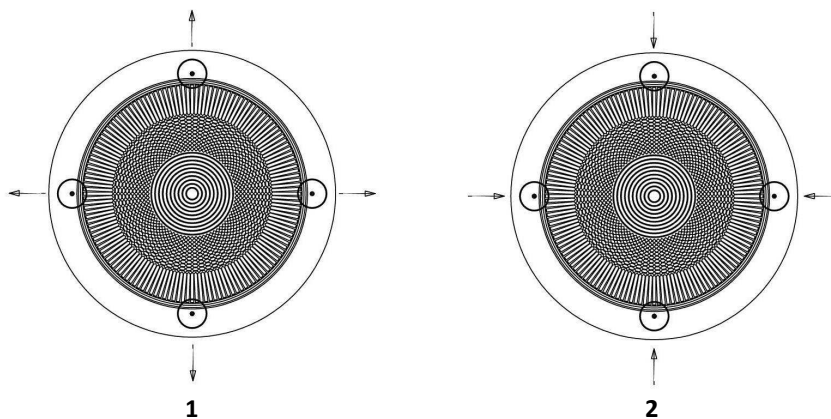
## INSTALLATION INSTRUCTIONS

type: ELEKTRA 4,5,6



The luminaire can be used as ceiling and wall.

- loosen the terminal screws, pull off the grid or ring and the shade (1)
- check, if the electrical supply is switched off
- extend the input cable through opening in the fixture and fix it to the wall (ceiling) by screws through rubber washers
- supply the input conductors with silicon sleeves
- connect the input conductors
- install the light source (see to the label on the luminaire)
- put the shade , grid or ring on and tighten with screws



### Electrical installation and safety:

Generally it is necessary to follow the EU regulations. At any revision or service activity it is necessary to disconnect lighting fitting from the electrical network. Only qualified and experienced person can do this work.